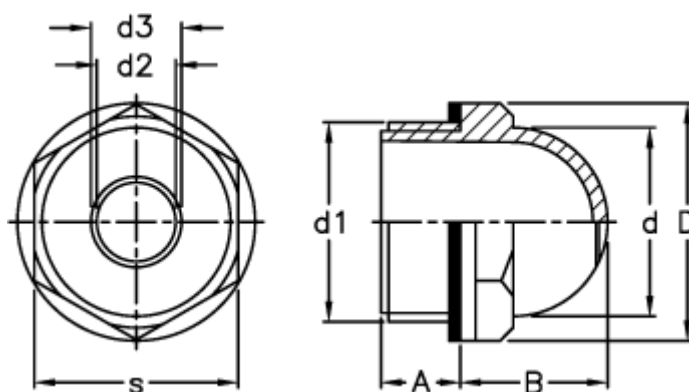


Article number: 2311011006

Description: E+G Dome-shaped level indicator  
HCFE.20/C-3/4

## Measures



A = 10.5

B = 19.5

d = 25

D = 31.5

d1 = G 3/4

d2 = 11

d3 = 12

s = 27

Tightening torque N m = 6 to 8